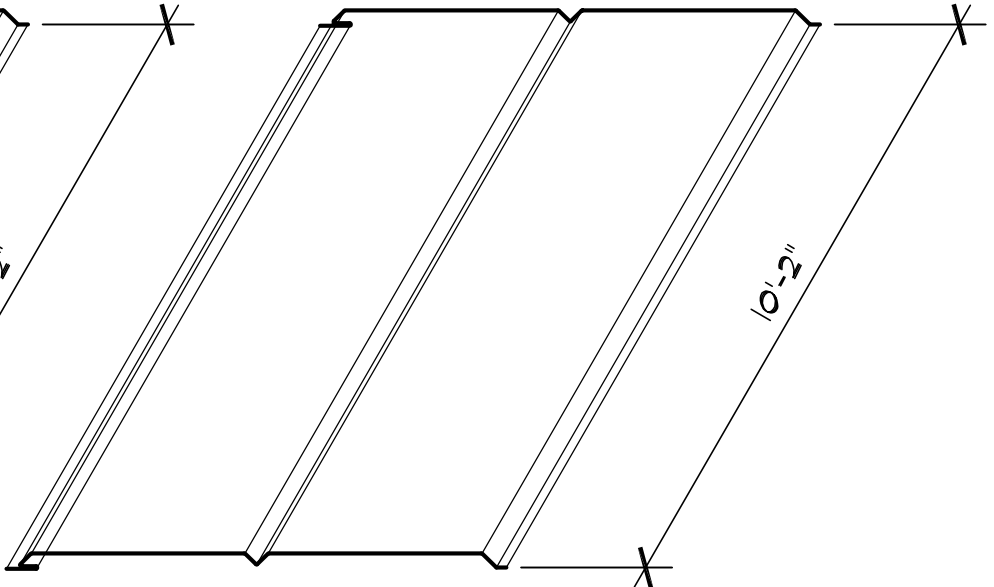
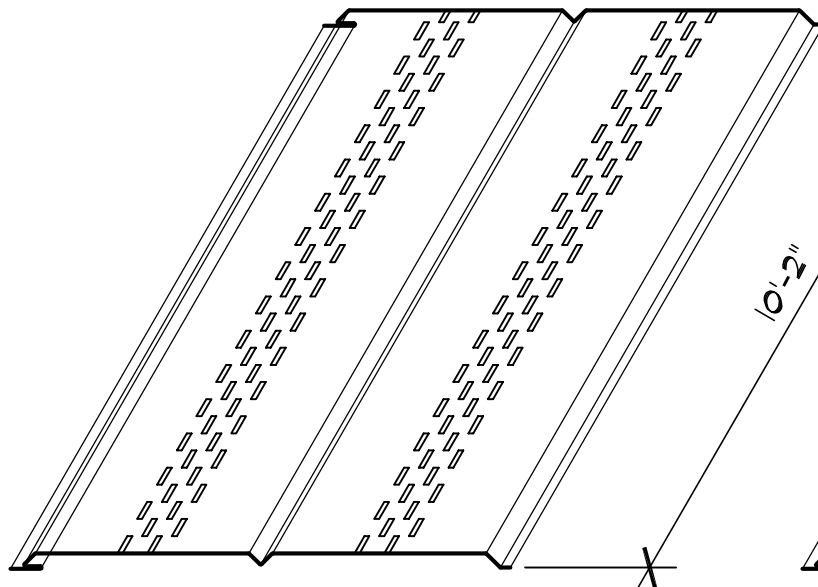


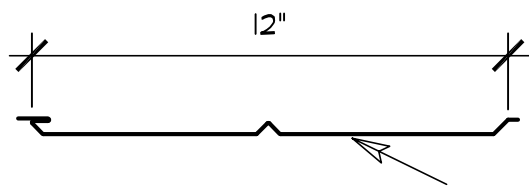
# SOFFIT TRIM PROFILES



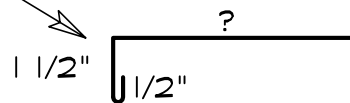
VENTED SOFFIT

NON-VENTED SOFFIT

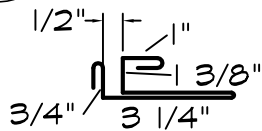
7 SOFFIT



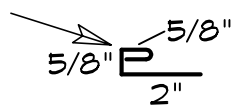
6 FACIA



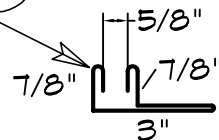
8a F & J TRIM



8b 1/2\" J TRIM



19 F TRIM



→ SHOWS COLORED SIDE